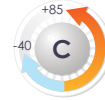
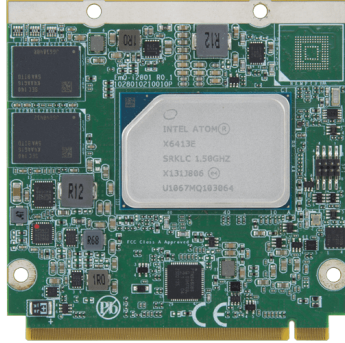


# EmQ-i2801



## Intel® Atom® x6211E/x6413E Qseven R2.1 CPU Module



### Features

- Soldered onboard Intel Elkhart Lake SoC Processor
- Soldered onboard LPDDR4 8GB memory
- Integrated Gigabit Ethernet
- Dual Channel 24-bit LVDS and 1 x DDI port
- Compliant with Qseven specifications revision 2.1

### System

CPU	Soldered onboard Intel® Atom® x6211E 1.3GHz Dual cores TDP 6W Atom® x6413E 1.5GHz Quad cores TDP 9W
-----	---

Memory	LPDDR4 8GB
--------	------------

BIOS	AMI UEFI BIOS
------	---------------

### I/O

USB Port	6 x USB 2.0 ports
----------	-------------------

	2 x USB 3.1 ports
--	-------------------

Expansion Bus	4 x PCIe1 lanes, I2C, SMBus
---------------	-----------------------------

Storage	2 x SATA 3.0 ports Soldered onboard eMMC 5.1 (OEM Request)
---------	---

Ethernet Chipset	1 x Intel® i210 Ethernet controller
------------------	-------------------------------------

Audio	HD link
-------	---------

### Display

Graphic Chipset	Intergrated in Intel® Gen9 graphic
-----------------	------------------------------------

Graphic Interface	Dual Channel 24-bit LVDS, with resolution up to 1920x1200 1 x DDI port
-------------------	---

### OS support

Windows 10 64-bit

Linux: Ubuntu

### Mechanical & Environmental

Power Requirement	DC 5V, 5VSB
-------------------	-------------

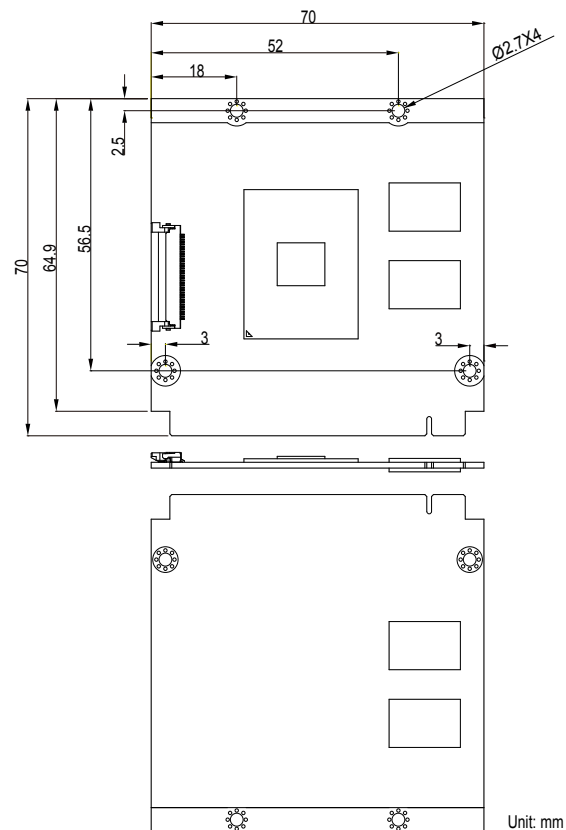
Power Consumption	TBD
-------------------	-----

Operating Temp.	-40 ~ 85°C (-40~185°F)
-----------------	------------------------

Operating Humidity	10 ~ 95% @ 85°C (non-condensing)
--------------------	----------------------------------

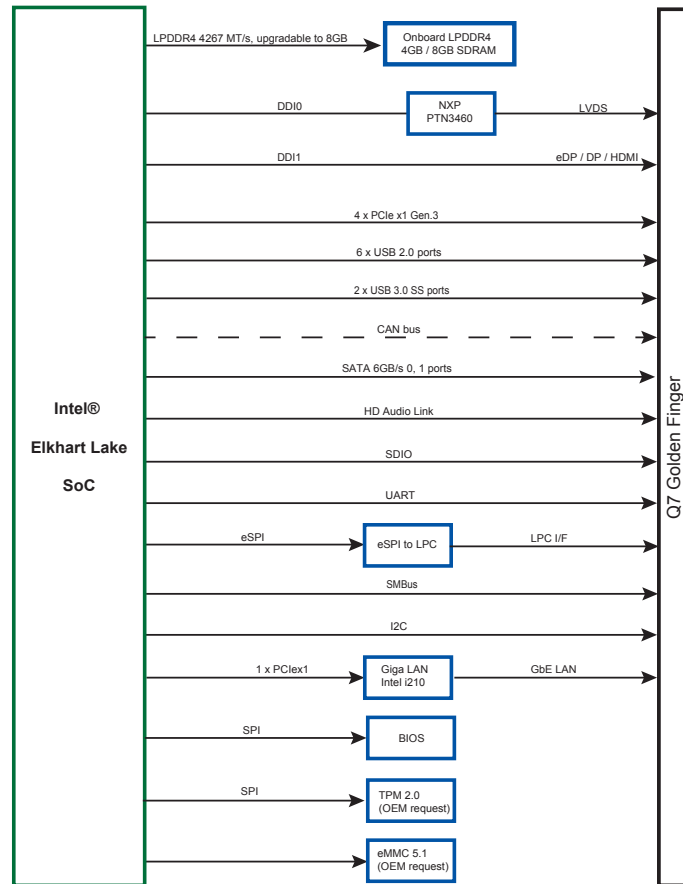
Dimensions (L x W)	70 x 70 mm (2.76" x 2.76")
--------------------	----------------------------

### Dimensions



Unit: mm

## Block Diagram



## Ordering Information

EmQ-i2801-WT-6413E-8GB	Intel® ATOM® x6413E Qseven R2.1 WT CPU module w/ 8GB memory soldered, -40~85°C
EmQ-i2801-WT-6211E-8GB	Intel® ATOM® x6211E Qseven R2.1 WT CPU module w/ 8GB memory soldered, -40~85°C
EmQ-i2801-WT-6413E-4GB	Intel® ATOM® x6413E Qseven R2.1 WT CPU module w/ 4GB memory soldered, -40~85°C
EmQ-i2801-WT-6211E-4GB	Intel® ATOM® x6211E Qseven R2.1 WT CPU module w/ 4GB memory soldered, -40~85°C

## Optional Accessories

PBQ-900R	Qseven R2.1 ATX form factor carrier board (All Super IO port functions are OEM requested)
SCDB-5221	Dual Channels 24-bit LVDS & DP port (signals via CPU module) daughterboard
HS-2801-F1	Heat Spreader, w/PAD, 70x65x8mm
CBK-04-900R-00	Cable kit: 2 x SATA cables 1 x COM cable 1 x Parallel cable